

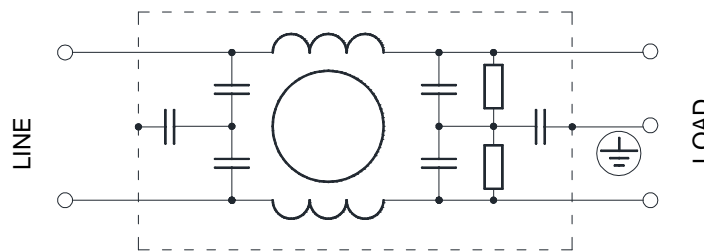
1 Features

- Excellent insertion losses with large range of rated current, maximum to 1600A
- Widely used in New energy source, Power electronics and Rail transportation industry
- Can be customized for large current requirements, such as 3200A EMI filter



2 Technical Data

Max operating voltage		Max.1200VDC
Rated Current		25~1600A
Test Voltage		Line-Line 3000VDC, 2s
		Line-Ground 3600VDC, 2s
Overlode	3 min/h	1.5×I _R
Capacity	30 sec/h	2.5×I _R
IEC Climate Category (IEC60068-1)		25/100/21
Certification		CE

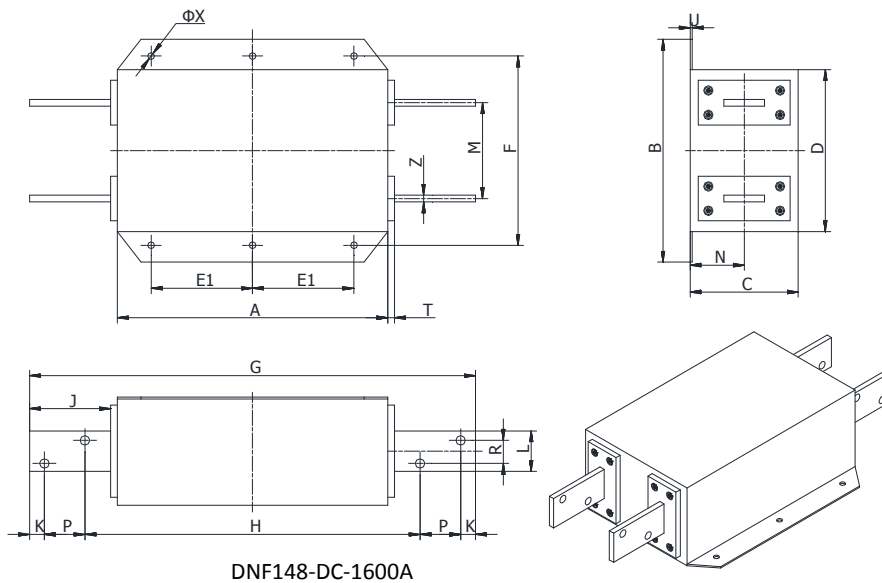
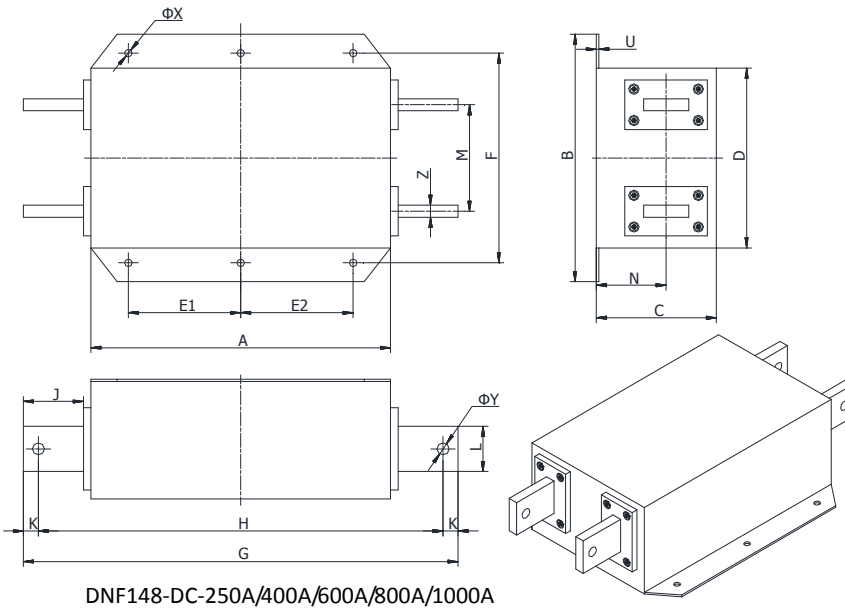
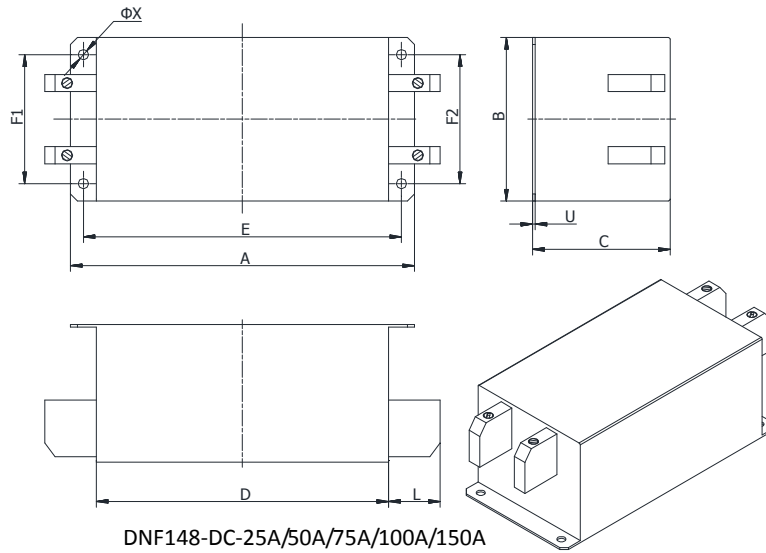
3 Electrical Schematic

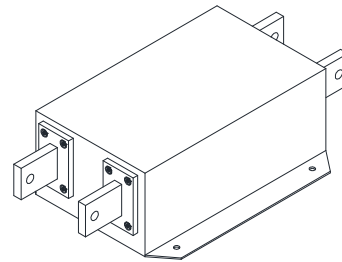
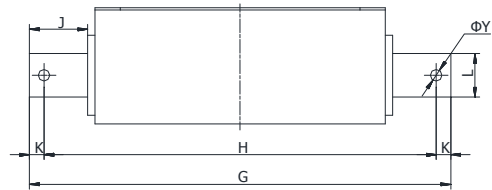
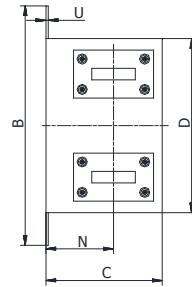
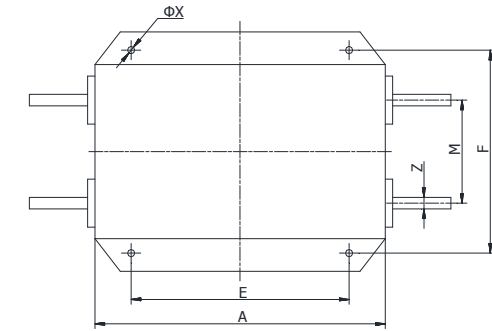


4 Filter series table

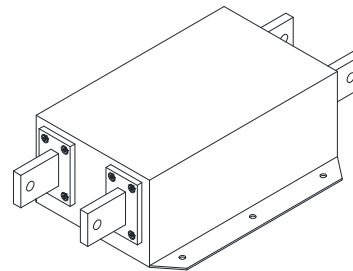
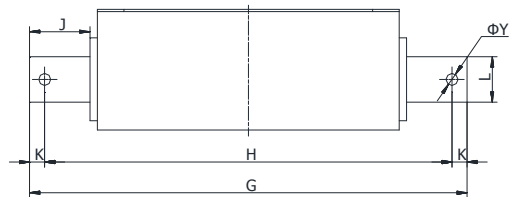
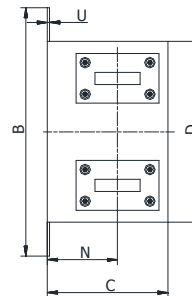
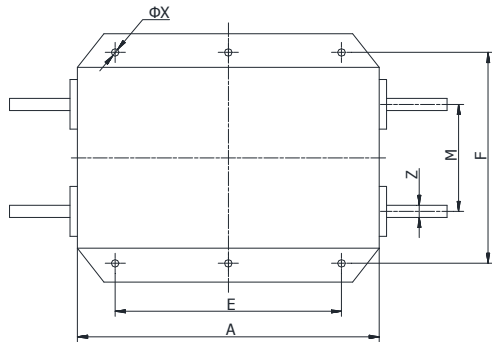
Type	Rated Current	Input/Output Terminal		Weight (Kg)
				
DNF148-DC-25A	25A	02		≤0.9
DNF148-DC-50A	50A	03		≤1.6
DNF148-DC-75A	75A	03		≤1.7
DNF148-DC-100A	100A	04		≤2.7
DNF148-DC-150A	150A	05		≤4.9
DNF148-DC-250A	250A		√	≤5.0
DNF148-DC-400A	400A		√	≤6.1
DNF148-DC-600A	600A		√	≤7.8
DNF148-DC-800A	800A		√	≤15
DNF148-DC-1000A	1000A		√	≤19.9
DNF148-DC-1600A	1600A		√	≤24.5
DNF148B-DC-180A	180A		√	≤4.9
DNF148B-DC-250A	250A		√	≤5.0
DNF148B-DC-320A	320A		√	≤7.8
DNF148B-DC-400A	400A		√	≤7.8
DNF148B-DC-600A	600A		√	≤7.9
DNF148B-DC-1000A	1000A		√	≤19.9
DNF148B-DC-1600A	1600A		√	≤24.5

5 Installment drawing

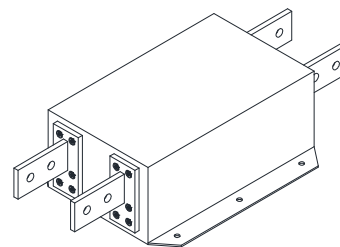
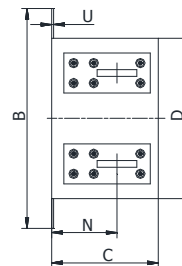
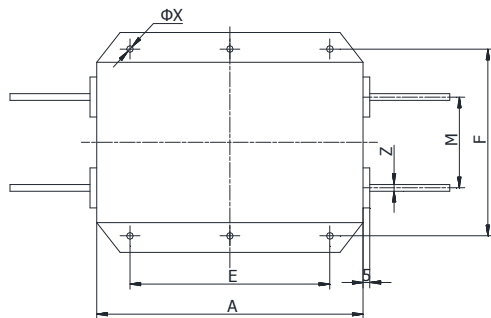




DNF148B-DC-180A/250A/320A/400A/600A



DNF148B-DC-1000A



DNF148B-DC-1600A

6 Dimensions (Unit: mm)

DNF148 Series	25A	50A	75A	100A	150A	250A	400A	600A	800A	1000A	1600A
A	170	200	200	220	250	300	300	300	300	300	300
B	80	95	95	125	140	180	190	190	200	200	200
C	65	80	80	95	115	110	110	110	140	140	150
D	140	170	170	190	220	130	140	140	150	150	150
F1	152.5	182.5	182.5	202.5	232.5	130	130	130	130	130	130
F2						110	110	110	110	110	110
F1	45	60	60	80	100	155	165	165	175	175	175
F2	60	75	75	100	120						
G						416	416	416	430	430	500
H						386	386	386	390	390	380
J						58	58	58	65	65	100
K						15	15	15	20	20	17
L	18	30	30	35	45	20	25	25	40	40	60
M						70	70	70	70	70	70
N						60	60	60	80	80	80
P											43
R											26
T						3	3	3	3	3	5
U	1	1.5	1.5	1.5	2.0	2.0	2.0	2.0	2.5	2.5	2.5
X	Φ6	Φ6	Φ6	Φ6	Φ6	Φ12	Φ12	Φ12	Φ12	Φ12	Φ12
Y						Φ9	Φ11	Φ11	Φ14	Φ14	Φ14
Z						5	6	8	8	8	10

DNF148B Series	180A	250A	320A	400A	600A	1000A	1600A
A	200	200	230	230	230	300	300
B	170	170	190	190	190	260	260
C	116	116	120	120	120	145	150
D	140	140	140	140	140	210	210
E	145	145	170	170	170	240	240
F	155	155	165	165	165	235	235
G	270	270	320	320	320	410	490
H	250	250	290	290	290	370	370
J	30	30	40	40	40	40	90
K	10	10	15	15	15	20	20
L	20	20	25	25	30	40	50
M	90	90	90	90	90	142	142
N	76	76	78	78	78	90.7	90.7
P							40
T	3	3	3	3	4	4	5
U	2	2	2	2	2	2.5	2.5
X	Φ7	Φ7	Φ12	Φ12	Φ12	Φ12	Φ12
Y	Φ9	Φ9	Φ11	Φ11	Φ11	Φ14	Φ14
Z	3	3	5	5	5	8	10

7 Input/output terminal

	02 Terminal (-10)	03 Terminal (-25)	04 Terminal (-50)	05 Terminal (-95)
Max install cross section	16mm ²	35mm ²	50mm ²	95mm ²
Max wire type	AWG 6	AWG 3	AWG 1/0	AWG 4/0
Install Torque	1.7Nm	3.9Nm	5.9Nm	14.7Nm

8 Installation Instructions

- 1) Good electrical connection is needed between filter casing and equipment shell.
- 2) Connecting the filter's input and output according to the provision on the label of LINE and LOAD.
- 3) The input wiring and the output wiring should be strictly separated, cannot be bundled together.